

WALK-BEHIND SPREADER

50 LB. CAPACITY

Model 99623

ASSEMBLY, OPERATING, AND MAINTENANCE INSTRUCTIONS



Diagrams within this manual may not be drawn proportionally.
Due to continuing improvements, actual product may differ slightly from the product described herein.

Distributed exclusively by Harbor Freight Tools®.

3491 Mission Oaks Blvd., Camarillo, CA 93011

Visit our website at: <http://www.harborfreight.com>



**Read this material before using this product.
Failure to do so can result in serious injury.
SAVE THIS MANUAL.**

Copyright© 2008 by Harbor Freight Tools®. All rights reserved. No portion of this manual or any artwork contained herein may be reproduced in any shape or form without the express written consent of Harbor Freight Tools.

For technical questions or replacement parts, please call 1-800-444-3353.

SAVE THIS MANUAL

Keep this manual for the safety warnings and precautions, assembly, operating, inspection, maintenance and cleaning procedures. Write the product's serial number in the back of the manual (or month and year of purchase if product has no number). Keep this manual and the receipt in a safe and dry place for future reference.

IMPORTANT SAFETY INSTRUCTIONS

In this manual, on the labeling, and all other information provided with this product:



This is the safety alert symbol. It is used to alert you to potential personal injury hazards. Obey all safety messages that follow this symbol to avoid possible injury or death.

DANGER

DANGER indicates a hazardous situation which, if not avoided, will result in death or serious injury.

WARNING

WARNING indicates a hazardous situation which, if not avoided, could result in death or serious injury.

CAUTION

CAUTION, used with the safety alert symbol, indicates a hazardous situation which, if not avoided, could result in minor or moderate injury.

NOTICE

NOTICE is used to address practices not related to personal injury.

CAUTION


CAUTION, without the safety alert symbol, is used to address practices not related to personal injury.

WARNING

When using gardening equipment, basic safety precautions should always be followed to reduce the risk of personal injury, including the following:

READ ALL INSTRUCTIONS

Personal Safety

1. Dress properly - Do not wear loose clothing or jewelry. They can be caught in moving parts. Use of rubber gloves and substantial footwear is recommended when working outdoors. Wear protective hair covering to contain long hair.
2.  Wear ANSI-approved safety goggles, NIOSH-approved dust mask/respirator, and heavy-duty work gloves.
3. Do not overreach - Keep proper footing and balance at all times.
4. Stay alert - Watch what you are doing. Use common sense. Do not operate this product when you are tired.

Gardening Appliance Use and Care

1. Avoid a dangerous environment - Do not use this product in damp or wet locations.

2. Do not use in rain.
3. Keep children away - All visitors should be kept at a distance from work area.
4. When servicing use only identical replacement parts.
5. Use the right equipment - Do not use appliance for any job except that for which it is intended.
6. Do not force this equipment - It will do the job better and with less likelihood of injury at the rate for which it was designed.
7. Store idle equipment indoors - When not in use, gardening equipment should be stored indoors in a clean, dry location out of reach of children.
8. Maintain this product with care - Keep this product clean for best performance and to reduce the risk of injury. Follow instructions for maintenance. If damaged, have this product repaired by an authorized service facility. Keep handle dry, clean, and free from oil and grease.
9. Check for damaged parts - Before further use of this product, a guard or other part that is damaged should be carefully checked to determine that it will operate properly and perform its intended function. Check for alignment of moving parts, binding of moving parts, breakage of parts, and any other condition that may affect its operation. A guard or other part that is damaged should be properly repaired or replaced by a qualified technician unless indicated elsewhere in this manual.
10. Keep guards in place and in working order.

General Safety

1. Do not exceed the maximum weight capacity (**50 pounds**) of the Spreader.
2. Use this product only with powdered and granular fertilizers, seed, sand, and ice-melt products.
3. Never leave contents in the Spreader. Pour leftover material back into its package and seal the package tightly. Never allow children or pets near any materials you apply.
4. Always follow the fertilizer manufacturer's instructions for proper use of the fertilizer.
5. Do not use appliance for other than intended use.
6. Maintain labels and nameplates on the Spreader. These carry important safety information. If unreadable or missing, contact Harbor Freight Tools for a replacement.
7. The warnings, precautions, and instructions discussed in this instruction manual cannot cover all possible conditions and situations that may occur. It must be understood by the operator that common sense and caution are factors which cannot be built into this product, but must be supplied by the operator.



**SAVE THESE
INSTRUCTIONS.**

SPECIFICATIONS

Product Applications	Designed for spreading powdered and granular fertilizer, seed, sand, and ice-melt products.
Hopper Capacity	50 Pounds (Dry)
Tires	4.10/3.50-6 / 24 PSI / Qty. 2
Construction Materials	Molded Polypropylene Hopper & Spreader Impeller. Steel Tubular Frame & Handle. Pneumatic Tires.

UNPACKING

When unpacking, check to make sure that the item is intact and undamaged. If any parts are missing or broken, please call Harbor Freight Tools at the number shown on the cover of this manual as soon as possible.

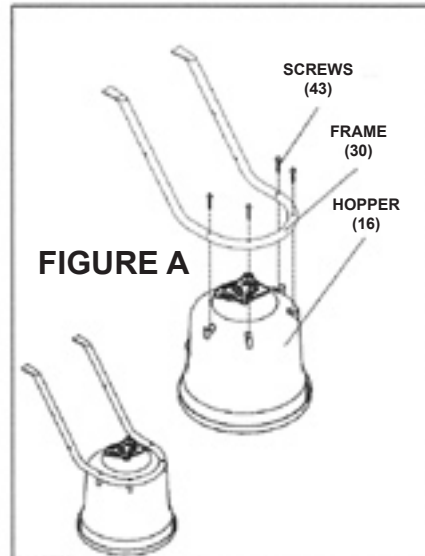
ASSEMBLY INSTRUCTIONS



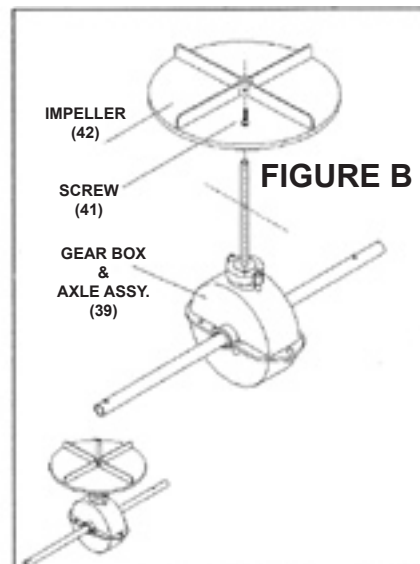
Read the **ENTIRE IMPORTANT SAFETY INSTRUCTIONS** section at the beginning of this manual including all text under subheadings therein before assembly or use of this product.

Note: For additional information regarding the parts listed in the following pages, refer to the Assembly Diagram near the end of this manual.

1. Turn the Hopper (16) upside down and install the Frame (30), using four Screws (43). (See Figure A.)

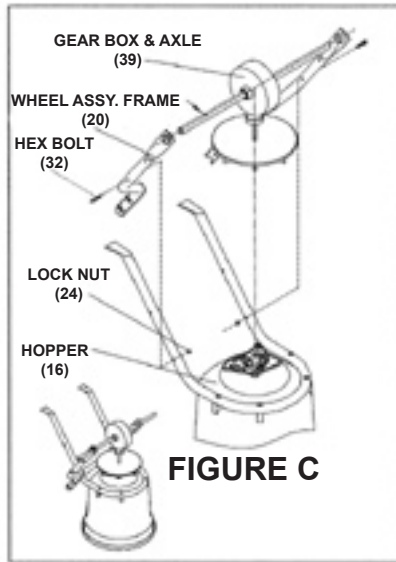


2. Attach the Impeller (42) to the Gear Box & Axle Assembly (39). To do so, insert the Screw (41) through the Impeller, then through the Gear Box Axle. Use the hole nearest the Gear Box. Then tighten the Screw. (See Figure B.)

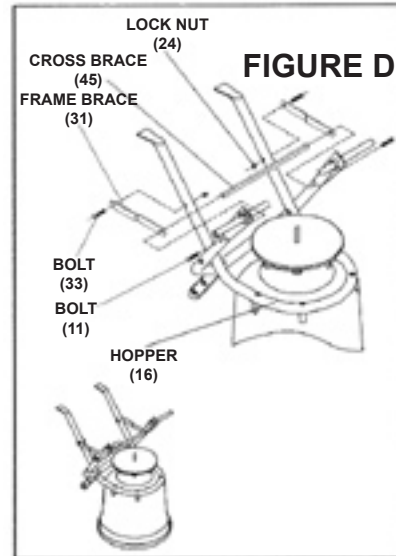


3. Install the Wheel Assembly Frames (20) on each side of the Gear Box

Axle (39). Insert a Hex Bolt (32) through both Wheel Assembly Frames and the Hopper Frame (30). Then secure the Wheel Assembly Frames to the Hopper Frame, using two Lock Nuts (24). NOTE: Do not tighten hardware at this time. (See Figure C.)

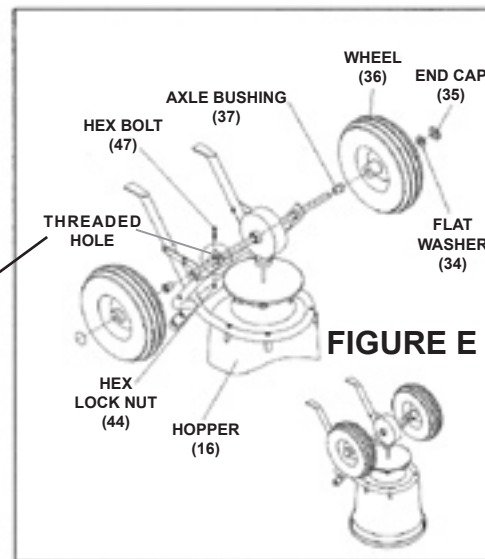


- Attach one end of the Frame Braces (31) to the Hopper Frame (30), using two Bolts (33) and two Lock Nuts (24). Then attach the other ends of the Frame Braces, with the Cross Brace (45) positioned between the Frame Braces, to the Wheel Assembly Frame (20), using two Bolts (11). NOTE: Do not tighten hardware at this time. (See Figure D.)

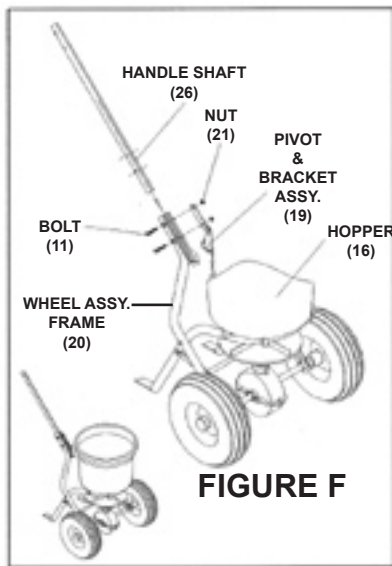


- Slide an Axle Bushing (37) over the Axle (39) and into an Axle Bearing (38) on both ends of the Axle. Install a Wheel (36) on each end of the Axle and secure the Wheels using two Hex Bolts (47) and two Hex Lock Nuts (44). Then install a Flat Washer (34) and End Cap (35) for each Wheel. (See Figure E.)

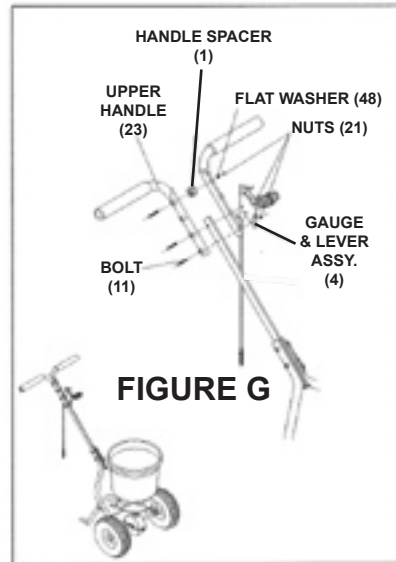
Note: Find the threaded hole in one side of Axle. Install a Wheel (36) on this end of the Axle and secure the Wheel using one Hex Bolt (47) and one Lock Nut (44). Then install a Flat Washer (34) and End Cap (35) for this Wheel. Install the other Wheel on the Axle and secure it in place with a Flat Washer (34) and End Cap (35).



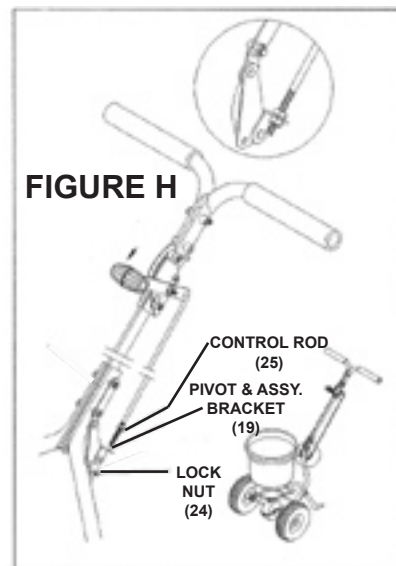
6. Insert the Handle Shaft (26) between the two Wheel Assembly Frames (20). Attach the Pivot and Bracket Assembly (19) to the Wheel Assembly Frames and Handle Shaft, using two Bolts (11) and two Nuts (21). **(See Figure F.)**



7. The Upper Handle (23) features three positions for operating comfort. To use the middle or upper positions, place the Handle Spacer (1) between the mounting holes nearest to the Handle Covers (15). Insert a Bolt (11) through the Upper Handle (23), through the Handle Spacer, through the other Upper Handle and secure with a Flat Washer (48) and Nut (21). Install the Gauge & Lever Assembly (4) on the *left* hand side, using two Bolts (11) and two Nuts (21). **(See Figure G.)**

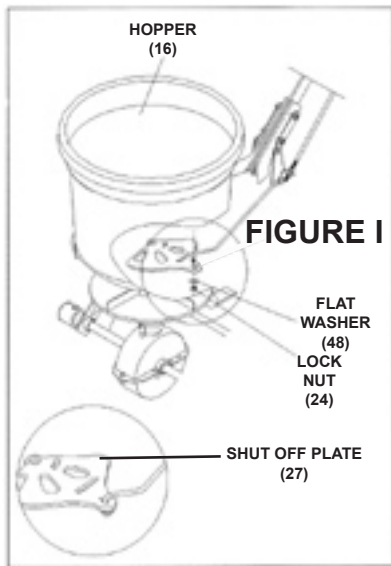


8. Unscrew and remove *one* Lock Nut (24) from the Control Rod (25). Insert the threaded portion of the Control Rod into the hole in the Pivot and Bracket Assembly (19). Then re-thread the Lock Nut back onto the Control Rod. **(See Figure H.)**

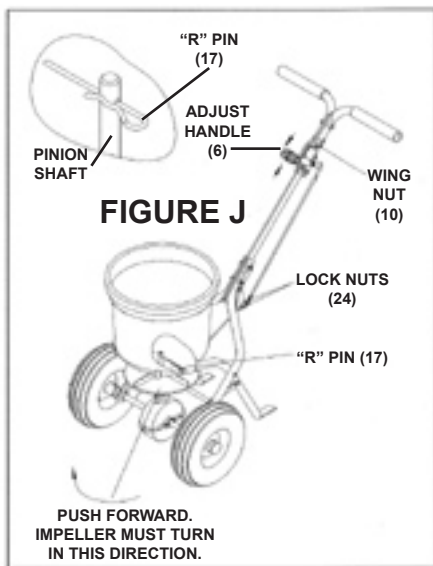


9. Insert the Adjust Connect Rod (46) into the Shut Off Plate (27). Then secure the Adjust Connect Rod to the Shut Off Plate, using one Flat Washer (48) and

one Lock Nut (24).
(See Figure I.)



10. Push down on the Adjust Handle (6) to its lowest position.
(See Figure J.)



11. Adjust the position of the two Lock Nuts (24) on the Control Rod (25), making sure the holes at the bottom of the Hopper (16) line up with the holes in the Shut Off Plate (27) properly. **(See Figures I and J.)**

12. Pull up on the Adjust Handle (6) to its upper position, making sure the holes in the Hopper (16) and the holes in the Shut Off Plate (27) are 100% open.
(See Figure J.)
13. Adjust the position of the Wing Nut (10). By doing so, you are able to control the size of the holes you need.
(See Figure J.)
14. Insert the "R" Pin (17) into the Pinion Shaft on the Gear Box and Axle Assembly (39). Make sure the Impeller (42) is turning in the correct direction as indicated by the arrow in the illustration.
(See Figure J.)

OPERATING INSTRUCTIONS



Read the **ENTIRE IMPORTANT SAFETY INFORMATION** section at the beginning of this manual including all text under subheadings therein before assembly or use of this product.

1. Before operating the Spreader make sure to wear ANSI-approved safety impact glasses, NIOSH-approved dust mask/respirator, and heavy duty work gloves.
2. Remove the Screen (14) on the Hopper (16) and fill the Hopper with the material you wish to apply. Do not exceed 50 pounds of material. Then replace the Screen. **(See Figure K, next page.)**
3. Refer to the manufacturer's recommended flow rate (0 to 5, typically shown on the bag/container of the material being applied).
4. Adjust the flow rate on the Gauge and Lever Assembly (4) to that of the mate-

rial manufacturer's recommendation. To do so, move the Wing Nut (10) to the proper setting. **(See Figure K.)**

5. Grip the Upper Handles (23) with both hands, pull the Adjust Handle (6) back and immediately begin pushing the Spreader at a slow and even rate over the area you wish to apply. **(See Figure K.)**
6. **IMPORTANT:** Always **PUSH** the Spreader when applying material. When pulled backward while the Hopper (16) is open, the Spreader may apply an excessive amount of material. **(See Figure K.)**
7. When finished applying the material, push the Adjust Handle (6) forward to stop the release of material being applied. **(See Figure K.)**

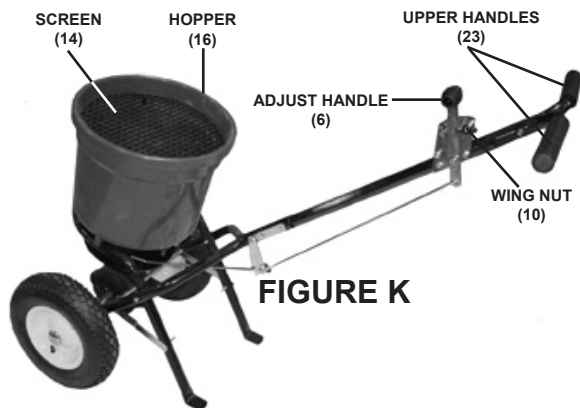
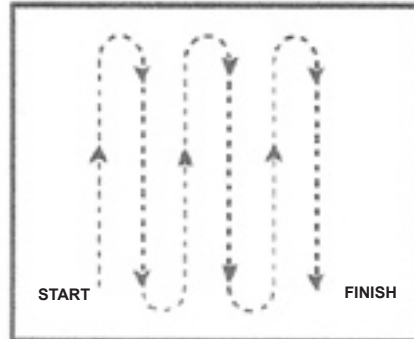


FIGURE K

8. Never leave material in the Spreader. Pour leftover material back into its bag/container and seal the bag/container tightly.
9. To prevent accidents, wash thoroughly to remove all material in the Spreader. Allow the unit to dry. Then store the unit indoors out of children's reach.

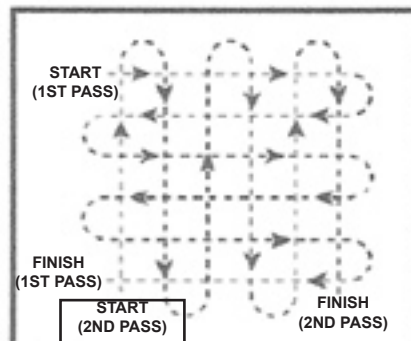
10. Suggested walking pattern at **full rate** settings: **(See Figure L.)**

FIGURE L



11. Suggested walking pattern at **half rate** settings: **(See Figure M.)**

FIGURE M



MAINTENANCE AND SERVICING



Procedures not specifically explained in this manual must be performed only by a qualified technician.

WARNING

**TO PREVENT
SERIOUS INJURY**

**FROM TOOL FAILURE:
Do not use damaged
equipment. If abnormal noise
or vibration occurs, have the
problem corrected before
further use.**

2. AFTER USE, Never leave material in the Spreader. Pour leftover material back into its bag/container and seal the bag/container tightly.
3. CLEANING AND STORAGE: wash thoroughly to remove all material in the Spreader. Allow the unit to dry. Then store the unit indoors out of children's reach.
4. NOTE: This Spreader does not require lubrication.

PLEASE READ THE FOLLOWING CAREFULLY

Inspection, Maintenance, and Cleaning

1. BEFORE EACH USE, inspect the general condition of the Spreader. Check for loose screws, misalignment or binding of moving parts, cracked or broken parts, and any other condition that may affect its safe operation.

THE MANUFACTURER AND/OR DISTRIBUTOR HAS PROVIDED THE PARTS LIST AND ASSEMBLY DIAGRAM IN THIS MANUAL AS A REFERENCE TOOL ONLY. NEITHER THE MANUFACTURER OR DISTRIBUTOR MAKES ANY REPRESENTATION OR WARRANTY OF ANY KIND TO THE BUYER THAT HE OR SHE IS QUALIFIED TO MAKE ANY REPAIRS TO THE PRODUCT, OR THAT HE OR SHE IS QUALIFIED TO REPLACE ANY PARTS OF THE PRODUCT. IN FACT, THE MANUFACTURER AND/OR DISTRIBUTOR EXPRESSLY STATES THAT ALL REPAIRS AND PARTS REPLACEMENTS SHOULD BE UNDERTAKEN BY CERTIFIED AND LICENSED TECHNICIANS, AND NOT BY THE BUYER. THE BUYER ASSUMES ALL RISK AND LIABILITY ARISING OUT OF HIS OR HER REPAIRS TO THE ORIGINAL PRODUCT OR REPLACEMENT PARTS THERETO, OR ARISING OUT OF HIS OR HER INSTALLATION OF REPLACEMENT PARTS THERETO.

TROUBLESHOOTING

Problem	Possible Cause(s)	Possible Solution(s)
Unit will not release material.	<ol style="list-style-type: none"> 1. Improper use of Adjust Handle. 2. Improper flow rate setting. 3. Wet, or wrong type of material. 	<ol style="list-style-type: none"> 1. Pull Adjust Handle backward to release material. Push forward to stop flow of material. 2. Make sure Adjust Handle setting is adjusted to that of material manufacturer's recommended setting. 3. Unit is designed only for dry, powered, and granular material.
Unit releases too much or too little material.	<ol style="list-style-type: none"> 1. Improper flow rate setting. 	<ol style="list-style-type: none"> 1. Make sure Adjust Handle setting is adjusted to that of material manufacturer's recommended setting.

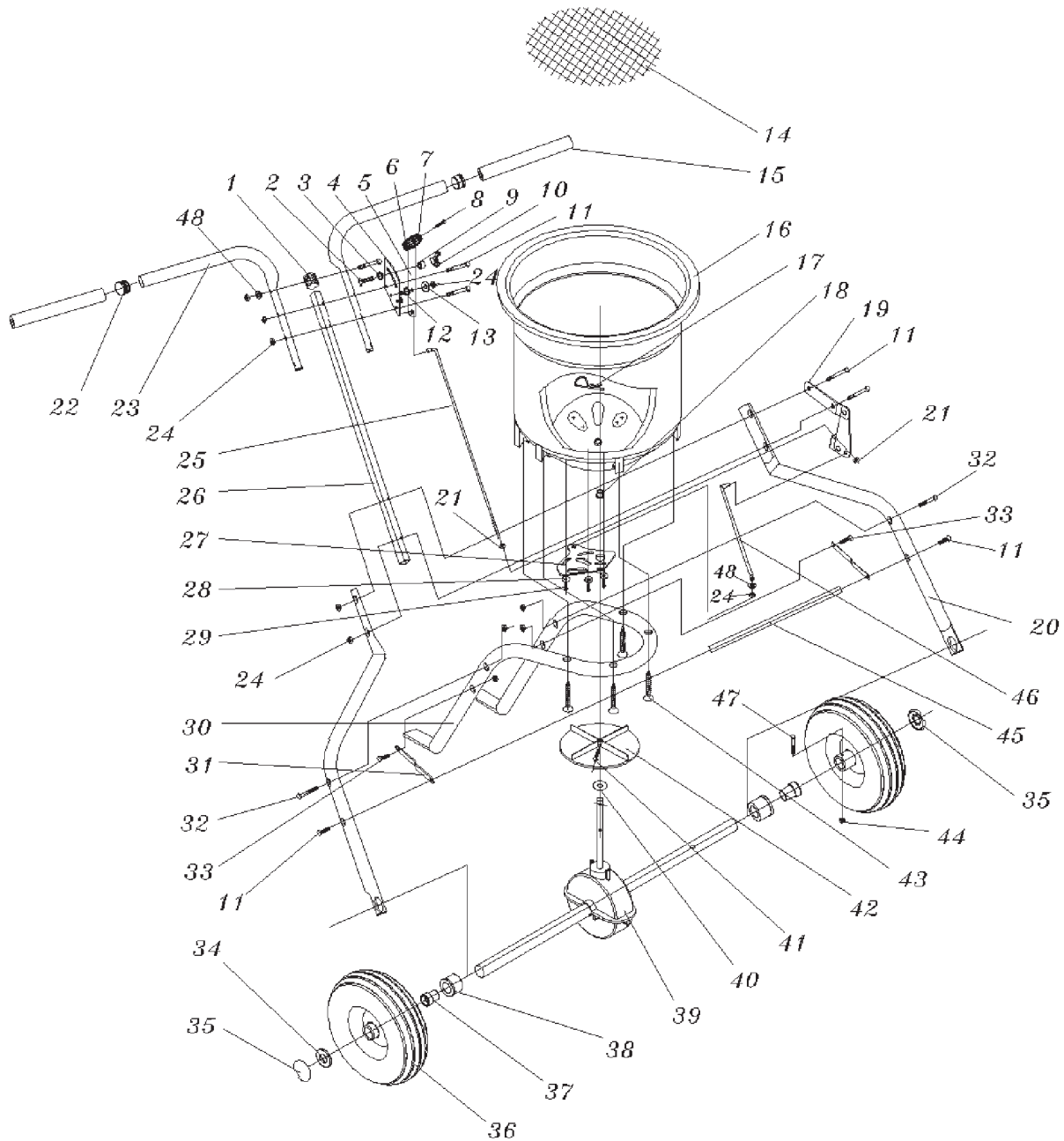


Follow all safety precautions whenever diagnosing or servicing the Spreader.

PARTS LIST

Part #	Description	Qty.
1	Handle Spacer	1
2	Carriage Bolt M6x25	1
3	Washer Ø8	1
4	Gauge & Lever Assembly	1
5	Adjust Handle Pole	1
6	Adjust Handle A	1
7	Adjust Handle B	1
8	Screw M4x18	1
9	Spacer	1
10	Wing Nut	1
11	Bolt M6x45	7
12	Nylon Washer	1
13	Big Flat Washer Ø6	1
14	Screen	1
15	Handle Cover	2
16	Hopper	1
17	R Pin Ø2	1
18	Hopper Bushing	1
19	Pivot & Bracket Assembly	1
20	Wheel Assembly Frame	2
21	Nut M6	2
22	End Cover	2
23	Upper Handle	2
24	Lock Nut M6	11
25	Control Rod A	1
26	Handle Shaft	1
27	Shut off plate	1
28	Big Flat Washer Ø4	3
29	Screw Ø4x12	3
30	Frame	1
31	Frame Brace	2
32	Bolt M6X50	2
33	Bolt M6X30	2
34	Flat Washer Ø16	2
35	End Cap	2
36	Pneumatic Wheel	2
37	Axle Bushing	2
38	Axle Bearing	2
39	Gear Box & Axle Assembly	1
40	Washer	1
41	Screw M4x20	1
42	Impeller	1
43	Screw M6X40	4
44	Hex Lock Nut M5	1
45	Cross Brace	1
46	Adjust Connect Rod B	1
47	Hex Bolt M5X45	1
48	Flat Washer Ø6	2

ASEMBLY DIAGRAM



Record Product's Serial Number Here: _____

Note: If product has no serial number, record month and year of purchase instead.

Note: Some parts are listed and shown for illustration purposes only, and are not available individually as replacement parts.